



VA 400

Consumption sensor for compressed air and gases

The new VA 400 for consumption measurement of compressed air and gases in a robust housing with and without display with actual consumption in m³/h and counter in m³.

Special features

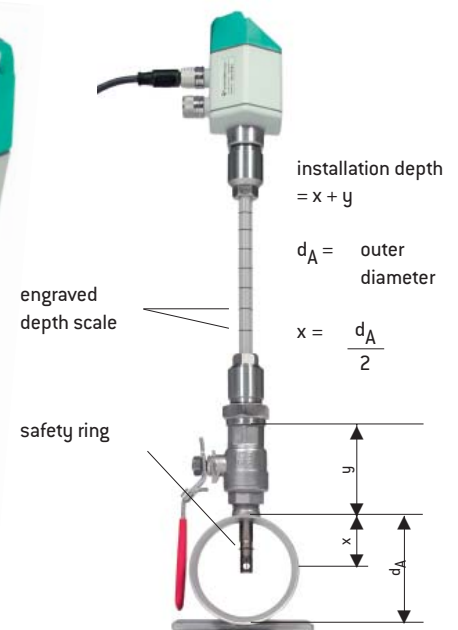
- Integrated display for m³/h und m³
- Depth scale for accurate installation
- Usable from 1/2" to 12" (DN 300)
- Easy installation under pressure
- 4...20 mA analogue output for m³/h resp. m³/min
- Pulse output for m³
- Inner diameter adjustable via keypad
- Consumption counter resettable



Inner diameter adjustable via keypad

flexible mounting thread G1/2"

safety ring Ø 11.7 mm



Technical data VA 400

Parameters:	m ³ /h standard, acc. DIN 1945, ISO 1217 20°C, 1000 mbar
Adjustable via software:	m ³ /h, m ³ /min, l/min, l/s, ft/min, cfm, m/s, kg/h, kg/min.
Adjustable via keypad:	diameter for volume flow calculation, counter resettable
Meas. principle:	calorimetric measurement
Sensor:	2 x silicium chip
Meas. medium:	air, gases
Gas types adjustable via software:	air, nitrogen, argon, helium, CO ₂ , oxygen
Meas. range:	see table page 18
Accuracy:	± 4 % m.v. ± 3 % m.v. via 5 point ISO precision calibration
Operating temp.:	-30...110 °C probe tube -30...80 °C housing
Operating pressure:	up to 50 bar
Analogue output:	4...20 mA for m ³ /h resp. l/min; on request: scaling for cfm, m ³ /min, l/min, l/s, ft/min, m/s
Pulse output:	1 pulse per m ³ , signal high 24 VDC, for 30 ms
PC connection:	SDI interface
Power supply:	24 VDC smoothed ± 15 %
Burden:	< 500 Ohm
Housing:	polycarbonate
Probe tube:	stainless steel, 1,4301 mounting length 220 mm, Ø 10 mm
Mounting thread:	G1/2"
Diameter housing:	65 mm

Description	Order no.
VA 400 consumption sensor in basic version: Standard (92.7 m/s), probe length 220 mm, without display	0695 4001
Options for VA 400:	
Display	Z695 4000
Max. version (185 m/s)	Z695 4003
HighSpeed version (224 m/s)	Z695 4002
Probe length 120 mm	ZSL 0120
Probe length 160 mm	ZSL 0160
Probe length 300 mm	ZSL 0300
Probe length 400 mm	ZSL 0400
Connection cables:	
Connection cable, 5 m (power supply, analogue output, pulse output)	0553 0104
Connection cable, 10 m (power supply, analogue output, pulse output)	0553 0105
Additional accessories:	
CS Service Software for FA/VA 400 sensors incl. PC connection set, USB adapter and interface adapter to sensor as well as CS Soft Professional software for data recording	0554 2005
Mains unit in wall housing 230 VAC/24 VDC	0699 3395
External wall display multifunction measuring instrument DS 300	see page 22
5 point precision calibration with ISO certificate	3200 0001